

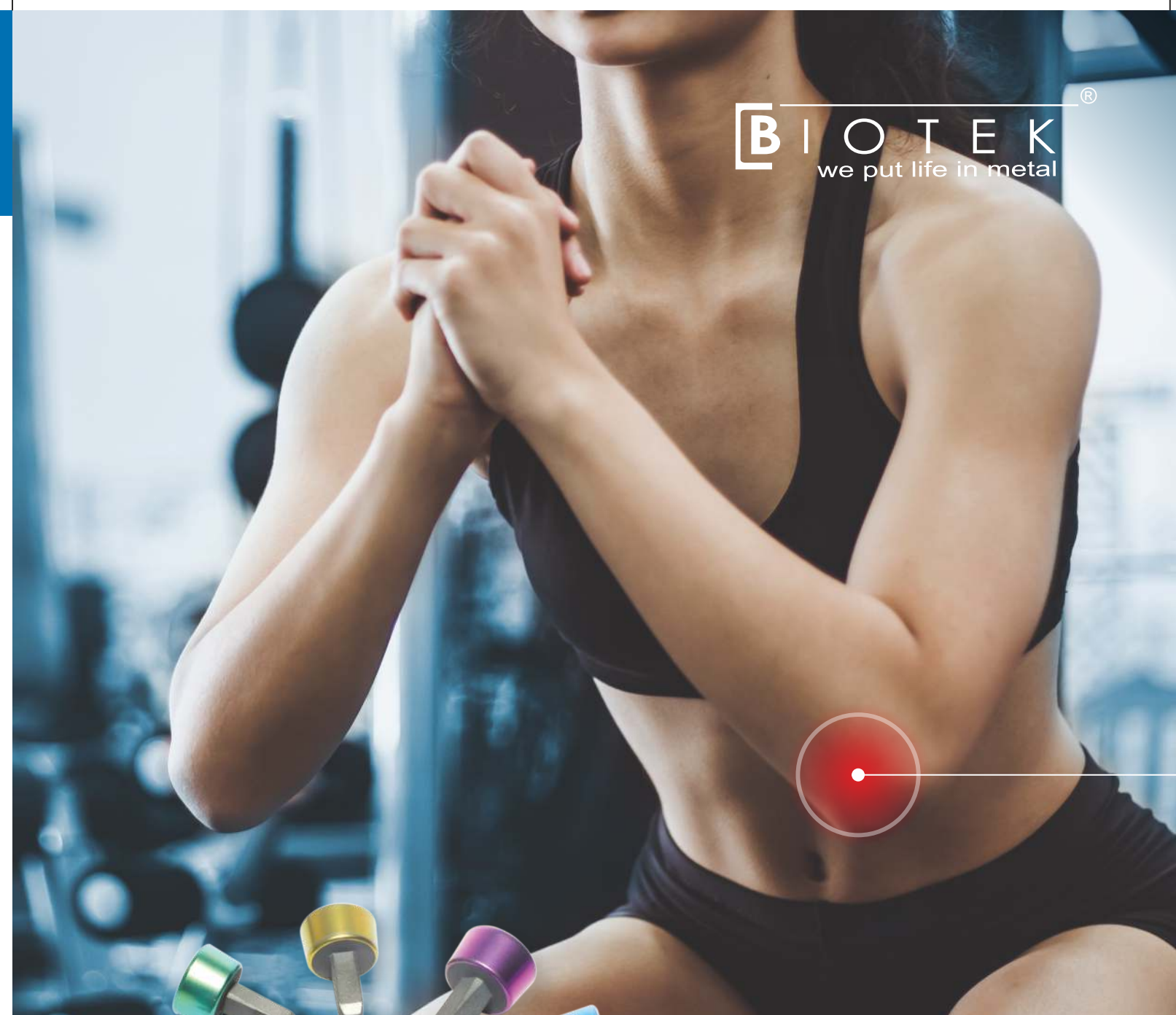
OSKAR® instrument set



Ordering information

CATALOG NO.	PRODUCT DESCRIPTION
BOR-33.10	OSKAR® Radial Head Size 1.0, Extra Small, Uncemented
BOR-34.15	OSKAR® Radial Head Size 1.5, Small, Uncemented
BOR-35.15	OSKAR® Radial Head Size 1.5, Small Long, Cemented
BOR-36.20	OSKAR® Radial Head Size 2.0, Medium, Uncemented
BOR-37.25	OSKAR® Radial Head Size 2.5, Large, Uncemented
BOR-38.25	OSKAR® Radial Head Size 2.5, Large Long, Cemented
BOR-39.30	OSKAR® Head Size 3.0, Extra Large, Uncemented

BT/PR/01, Rev. 01



OSKAR®
Radial Head Prosthesis

- “Square-round” design of standard stem which minimizes stress on radius
- Long stem added for fractures that extend distally past the radial neck

BIOTEK - Chetan Meditech Pvt. Ltd.

Plot No: MD 04, Near Teva Company, Sanand GIDC Gate No. 2,
Charal Gaam, Ahmedabad-382110. Gujarat, INDIA.
E: contact@biotekortho.com; W: www.biotekortho.com
ISO 13485:2016 • CE Certified.



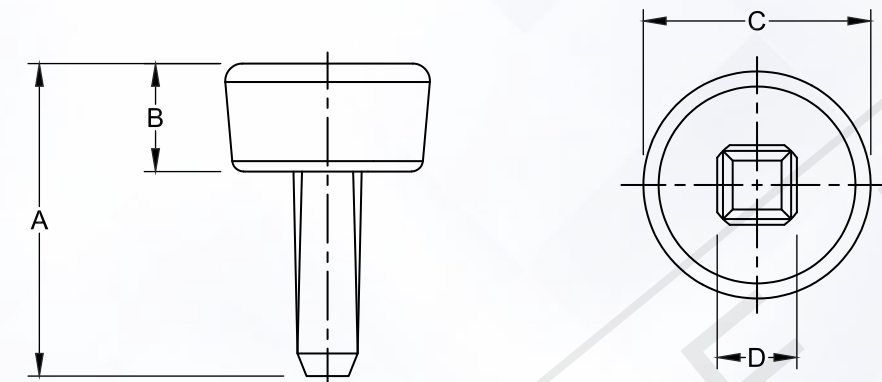
Available in Standard and Extra Long stem Sizes, the OSKAR® Radial Head Implant is a one-piece monoblock intramedullary-stemmed implant designed to help preserve the joint space and relationships of the radio-humeral and proximal radio-ulnar joints following irreparable radial head or neck



INDICATIONS

- Primary replacement after fracture of the radial head where fixation is not possible in isolation or with associated injuries
- Symptomatic sequelae after radial head resection
- The OSKAR® Radial Head Implant is available in seven sizes to adequately meet various operative requirements. A sizer set, supplied nonsterile and not suitable for implantation, is available for proper size determination during surgery.

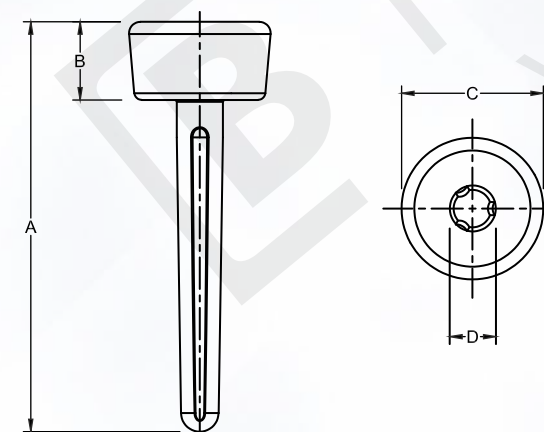
Standard Stem- Variants (Uncemented)



DIMENSION (in millimeters)

Size	1.0(Ext. Small)	1.5(Small)	2.0(Medium)	2.5(Large)	3.0(Ext. Large)
A	27.50	29.00	30.50	32.00	33.50
B	9.50	10.50	11.50	12.50	13.50
C	18.00	19.00	20.00	21.00	22.00
D	6.00	6.50	7.00	7.50	8.00

Long Stem- Variants (Cemented)



DIMENSION (in millimeters)

Size	1.5(Small)	2.5(Large)
A	55.00	55.00
B	10.50	12.50
C	19.00	21.00
D	6.20	6.20

NOTE: The use of extra long radial head implant is indicated when there is a lack of bone stock at the radial neck and the distance between the capitellum and the proximal radius is too long for the conventional style implant. This situation can be seen when there has been a comminuted radial head fracture including the neck or following an overzealous bone removal in radial head excision procedures.